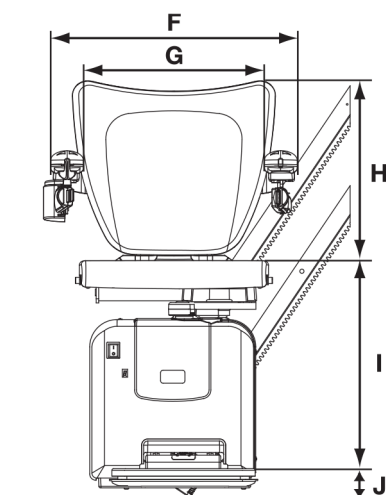
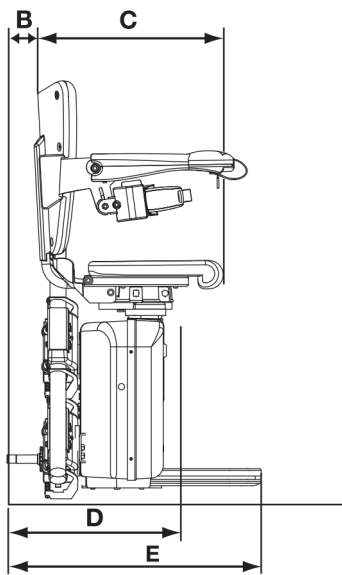
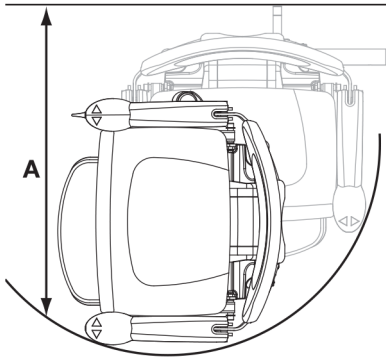


Handicare 2000 style

Twin rail curved stairlifts



Style Seat		Dimensions
A	Minimum swivel radius	720mm
	With short armrest	685mm
B	Wall to inner seat back	92mm
C	Seat depth	390mm
D	Minimum folded width to footplate	400mm
E	Minimum open width to edge footplate	674mm
F	Armrest width – external	570mm
G	Armrest width – internal	430mm
H	Seat back height	400mm
I	Footplate to seat height	497-579mm
	Higher footplate height	477-559mm
J	Minimum footplate height	70mm
Minimum track intrusion into staircase		116mm
Maximum weight limit		115kg/18st
Heavy duty version		137kg/21½st
Speed		0.12m/sec
Maximum staircase angle		56°

Some of the above dimensions depend on the characteristics of the staircase in the home. Please consult the sales manual for further information about these dimensions and features of this seat. All information is provided in good faith but does not constitute a guarantee. Handicare reserves the right to alter designs and specifications without prior notice.

T : UK/USA > 0031 72 75 11116
 GER > 0031 72 75 11117
 FRA > 0031 72 75 11118
 ROW > 0031 72 75 11119
 F : 0031 72 57 68 877
 E: data@handicare.com